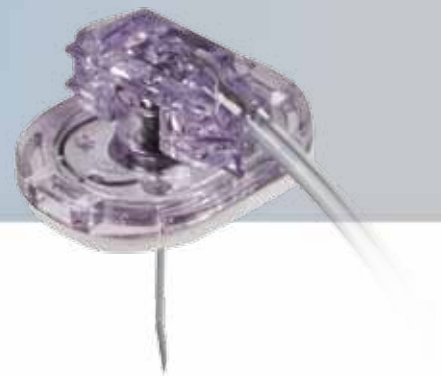


# SafeStep<sup>\*</sup>

HUBER NEEDLE SET

The **Right Step** for You and Your Patient



**BARD**

ACCESS SYSTEMS

*Advancing the Delivery of Health Care.\**

# SafeStep\* Huber Needle Set

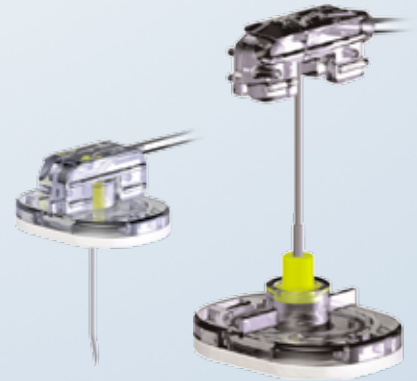
## Features and Benefits

### Easy-to-Use:

- Smooth, simple, single-step safety activation
- Clear plastic base provides excellent site visibility
- Needleless access connector for needle-free access
- Dual port adaptability

### Designed for Patient Comfort:

- Smallest footprint of all Bard\* Safety Infusion Sets
- Non-absorbant patient comfort pad
- Improved dressing profile
- Lower insertion and penetration force than other currently marketed non-siliconized port access needles



## Safety

Complies with OSHA standards | Built in safety mechanism reduces risk of needle-stick injury

### Codes without "Y" - Injection Site

Product Code	Needle Size	
	Length	Gauge
LH-0039	0.5"	19g
LH-0037	0.5"	20g
LH-0035	0.5"	22g
LH-0033	0.75"	19g
LH-0031	0.75"	20g
LH-0029	0.75"	22g
LH-0034	1"	19g
LH-0032	1"	20g
LH-0030	1"	22g
LH-0040	1.5"	19g
LH-0038	1.5"	20g
LH-0036	1.5"	22g

### Minimum Gravity Flow Rate for SafeStep\* SIS

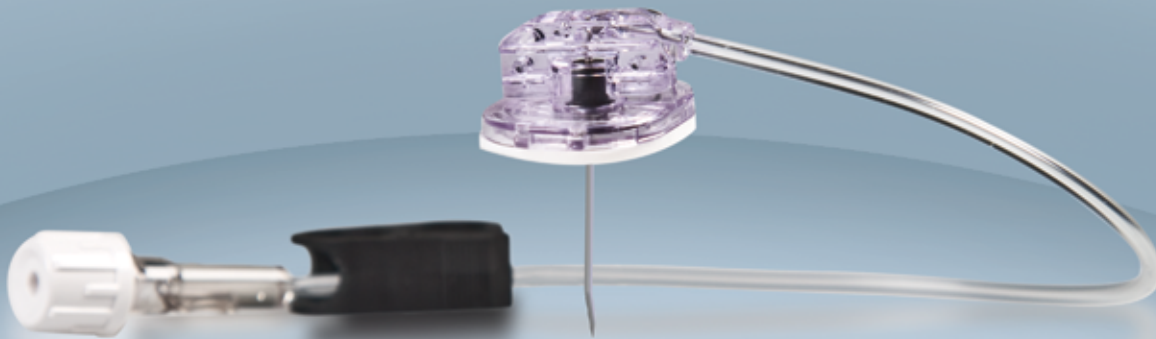
19 Ga.	1680 ml/hr
20 Ga.	960 ml/hr
22 Ga.	312 ml/hr

### Codes with "Y" - Injection Site and Medegen\* Needleless Connector

Product Code	Needle Size	
	Length	Gauge
LH-0039YN	0.5"	19g
LH-0037YN	0.5"	20g
LH-0035YN	0.5"	22g
LH-0033YN	0.75"	19g
LH-0031YN	0.75"	20g
LH-0029YN	0.75"	22g
LH-0034YN	1"	19g
LH-0032YN	1"	20g
LH-0030YN	1"	22g
LH-0040YN	1.5"	19g
LH-0038YN	1.5"	20g
LH-0036YN	1.5"	22g

### Priming Volume for SafeStep\* SIS

19, 20, and 22 Ga.	with Y-Site, 0.7 ml
19, 20, and 22 Ga.	without Y-Site, 0.3 ml



### BARD ACCESS SYSTEMS, INC.

605 NORTH 5600 WEST  
SALT LAKE CITY, UT 84116 U.S.A.  
801-522-5000  
www.bardaccess.com

CUSTOMER SERVICE:  
800-545-0890

CLINICAL INFORMATION:  
800-443-3385

Please consult product labels and inserts for any indications, contraindications, hazards, warnings, cautions and instructions for use.