

IMed Products® IV Poles offer a reliable, cost-effective solution for a variety of infusion settings. Designed for durability, stability, and ease-of-use, these lightweight yet sturdy poles provide smooth mobility, adjustable height, and secure hook configurations to support IV fluids, ambulatory pumps, and enteral feeding devices.

## FEATURES & BENEFITS

### IM47143

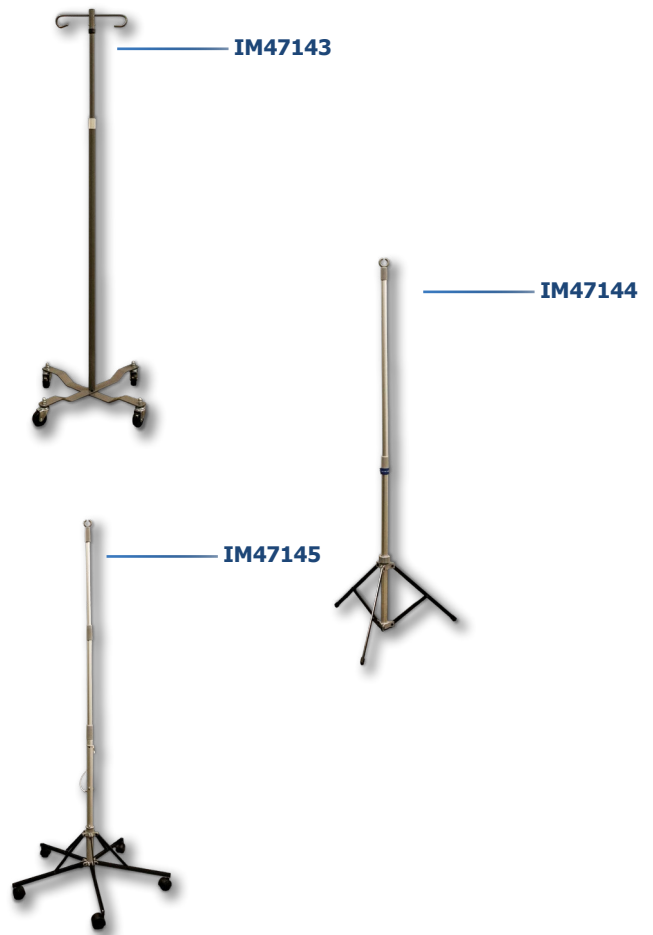
- Four rubber wheels provide smooth, stable transport
- Chrome-plated steel pole with a weighted base helps prevent tipping

### IM47144

- No assembly required
- Ideal for areas with limited space or occasional IV use

### IM47145

- No assembly required
- Five casters provide smooth mobility



## ORDERING DETAILS

ITEM #	DESCRIPTION	HEIGHT	UOM (CASE)
IM47143	IV Pole (Steel), 4 Legs w/Wheels	45" - 85"	1 Each
IM47144	IV Pole (Disposable), 3 Legs	29" - 72"	1 Each
IM47145	IV Pole (Disposable), 5 Legs w/Wheels	33" - 75"	1 Each

# Strengthened by Nationwide Distribution and Dedicated Customer Support

Proudly  
Distributed by

**IMS**  
INTEGRATED MEDICAL SYSTEMS



**IMed**<sup>®</sup>  
Products

**IMed Products delivers reliable, high-quality medical support solutions at value-driven pricing—designed to ensure consistent supply, trusted clinical performance, and operational ease for outpatient centers, clinics, hospitals, and pharmacies.**

The product details provided herein, including any images or supplements, reflect information from various sources regarding the product; this information has not been independently verified by Integrated Medical Systems ("IMS") or its affiliates. IMS is not liable for any inaccuracies or omissions in the product information, which is provided solely for your convenience.

The information presented here is subject to change without prior notice. Customers should review product packaging and labeling before use or purchase to ensure accuracy, especially when referencing information from IMS's online or printed materials. IMS disclaims any responsibility for the accuracy or completeness of the information reflected herein, regardless of whether any inaccuracies or omissions are due to errors or other factors.

© 2026 IMed® Products. All rights reserved. 03/26 IMS26058 IMed IV Poles\_Sell Sheet\_01