



Trilogy accessory guide

PHILIPS

RESPIRONICS

sense and simplicity



Light, versatile, and easy to use, Trilogy portable life-support ventilators are designed for use in the home and alternative care sites and provide noninvasive and invasive ventilator support with added sensitivity for a wide range of adult and pediatric patients (≥ 5 kg). Combining Trilogy's array of accessories, including a host of disposable circuits, with its advanced technology and reporting software, help to enhance patient ventilation synchrony as well as identify adjustments necessary to maintain effective treatment and improve patient care.

Index

Power options	4
Carry case and stand	6
DirectView	8
Circuit adapters	10
Disposable circuits	12
Adult passive circuits	12-13
Adult passive circuit with water trap	14
Adult passive circuit, heated wire	15
Adult active circuit, no water trap	16
Adult active circuit, heated wire	17
Pediatric passive circuit with water trap	18
Pediatric passive circuit, heated wire	19
Pediatric active circuit with water trap	20
Pediatric active circuit, heated wire	21
Monitoring and alarms	22
Miscellaneous	24
Notes	26

Power options

Trilogy ventilators give patients a new level of freedom and mobility with a wide array of power options.

Freedom and mobility

As a clinician, you want to make it possible for your patients to go to school, attend a ballgame, or just visit at grandma's house. Weighing only 11 pounds, and featuring a unique battery system of internal and easy-to-swap detachable batteries, Trilogy gives patients and their families a new level of freedom and mobility.



1072182

Detachable battery charger



1067424

Automotive DC power adapter



1047295

External battery cable



1044760

Powercord – 8'

1069219

Powercord – 14'



1043570

Detachable battery pack



Carry case and stand

Portability is easy with Trilogy's in-use bag and mount stand for use at the bedside.

Easy to use and maintain

The innovative technology of Trilogy sets it apart from the rest. The support, service and upkeep behind all of it keep it there. These include:

- a 24/7 call center staffed with clinical and technical support specialists to answer questions
- in-depth ventilation workshops
- educational training resources for both you and your patients
- patient-friendly displays
- Respironics service and support programs



1040420

Carry bag, in use



1033709

Carrying case



1047410

Small products roll stand



1094043

Circuit support arm kit



1074004

Roll stand mount plate

1074137 – 4/pk

Roll stand mount plate screws



DirectView

DirectView reporting software offers a detailed view of ventilation data that can help you improve patient care.

Patient monitoring

There are times when patients require changes in therapy. Trilogy DirectView reporting software streamlines reporting to help you identify adjustments necessary to maintain effective treatment and allows prescription management through the use of an SD memory card.

DirectView offers:

- breath-by-breath waveforms
- short- and long-term trends
- statistics and patterns of usage
- fully customizable and easily exportable reports



1051801

SD card and case

1041151 – 10/pk

SD card mailer



1005297

Software package (includes DirectView CD, SD card and SD card mailer)

1055635

Software package (online download only at my.respironics.com)



1047300

SD card reader



Circuit adapters

The ability to use either an active or passive exhalation port gives you the flexibility to choose the best available circuit and interface for your patient. Trilogy's unique passive exhalation port eliminates extra tubing connections resulting in fewer disconnections.



Flexible trach adapter with 22 mm cuff

Connects to Whisper Swivel II and swivel and fixed disposable exhalation ports

Part numbers

Box of 10: 1073902

Box of 20: 1073904



Flexible trach adapter with 15 mm cuff

Connects to the flow sensor or the active exhalation valve

Part numbers

Box of 10: 1073863

Box of 20: 1073903



1065659

Active exhalation valve with PAP assembly



1050408 – 1/pk

1050534 – 10/pk

Proximal flow sensor (Trilogy200)



332113

Whisper swivel II



312149

Disposable
fixed
exhalation
port



1084428 – 10/pk

1084429 – 20/pk

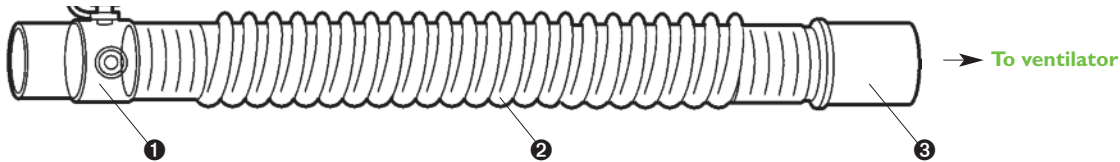
Disposable swivel passive exhalation port



Disposable circuits

Adult passive circuits

Adult passive circuit with fixed exhalation port

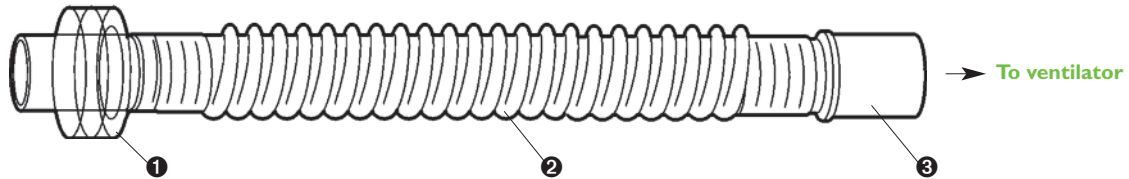


Part numbers

Box of 10: 1069467

Box of 20: 1069468

Adult passive circuit with swivel design exhalation port

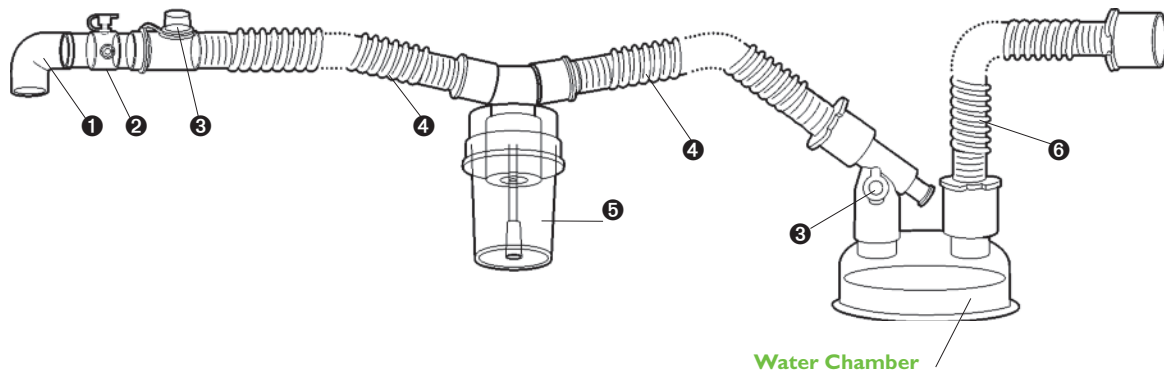


Part numbers
Box of 10: 1073228
Box of 20: 1073236

Components

- ❶ Passive exhalation port
- ❷ Patient tube, 6' length, 22 mm diameter
- ❸ 22 mm cuff

Adult passive circuit with water trap



Water Chamber

(not included)

Components

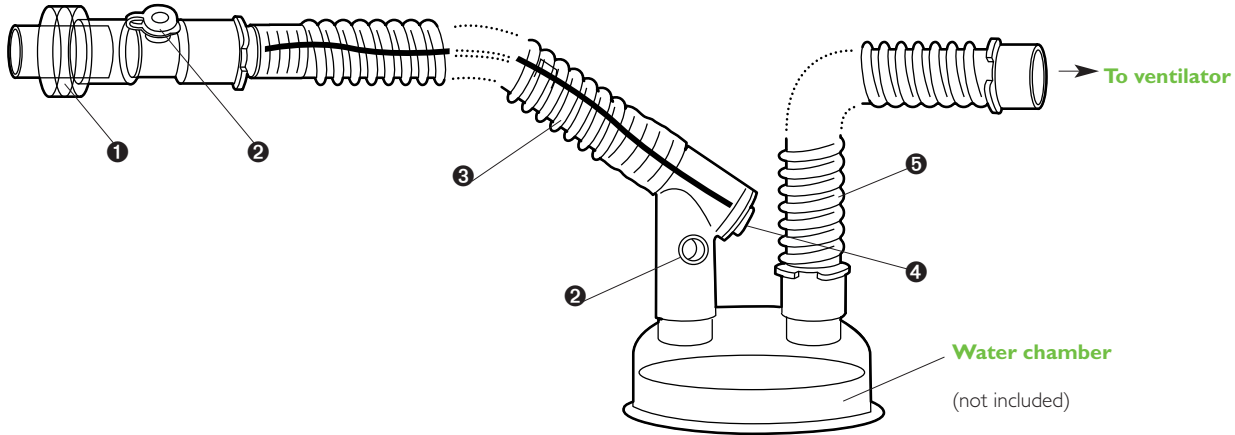
- ① Standard 90° degree elbow adapter
- ② Passive fixed exhalation port
- ③ Temperature probe port
- ④ Patient tube, 2' length, 22 mm diameter with 22 mm cuff
- ⑤ Water trap
- ⑥ Humidifier connection tube, 2' length, 22 mm diameter with 22 mm cuff

Part numbers

Box of 10: 1069443

Box of 20: 1069444

Adult passive circuit, heated wire



Components

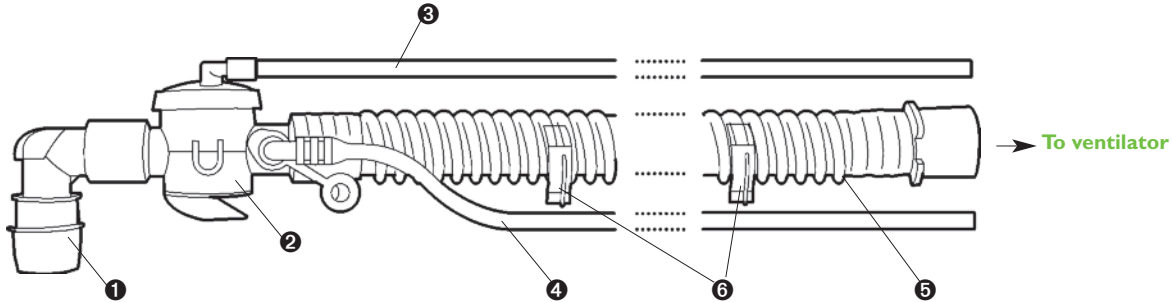
- ❶ Passive swivel exhalation port
- ❷ Temperature probe port
- ❸ Heated wire patient tube, 5' length,
22 mm diameter with 22 mm cuff
- ❹ Heated wire adapter
- ❺ Humidifier connection tube, 2' length,
22 mm in diameter with 22 mm cuff

Part numbers

Box of 10: 1073227

Box of 20: 1073235

Adult active circuit, no water trap



Components

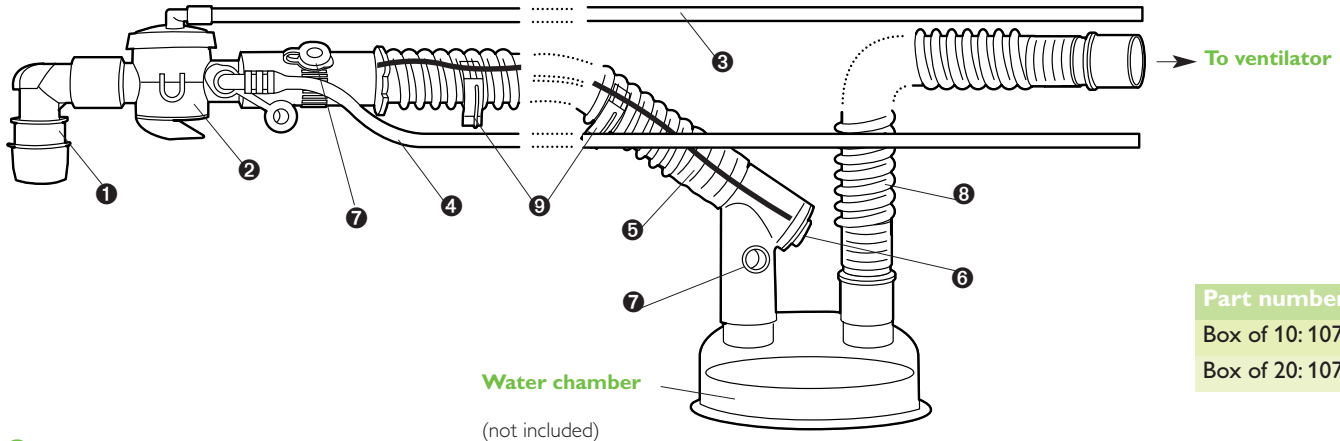
- ❶ Standard 90° elbow trach adapter
- ❷ Active exhalation valve
- ❸ Exhalation tubing
- ❹ Proximal pressure tubing
- ❺ Patient tube, 6' length, 22 mm diameter with 22 mm cuff
- ❻ Tube management clips

Part numbers

Box of 10: 1073223

Box of 20: 1073232

Adult active circuit, heated wire



Components

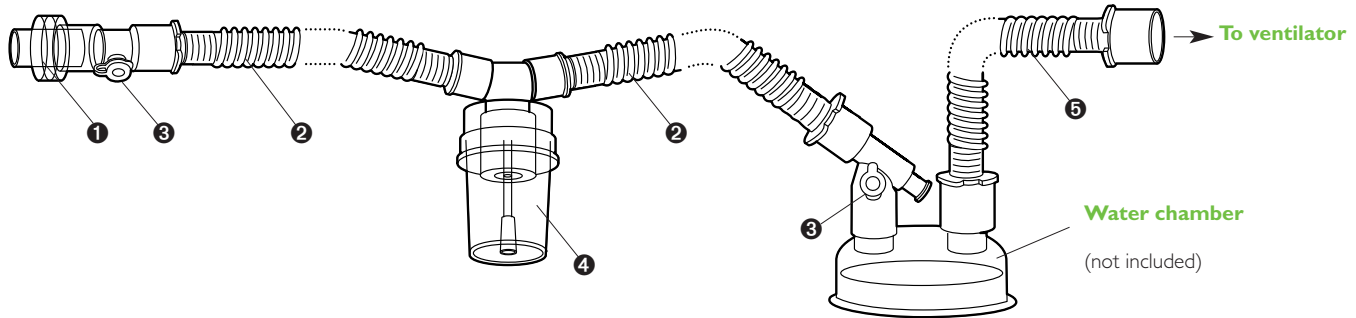
- ① Standard 90° elbow trach adapter
- ② Active exhalation valve
- ③ Exhalation tubing
- ④ Proximal pressure tubing
- ⑤ Heated wire patient tube, 5' length, 22 mm diameter with 22 mm cuff, with heated wire connector
- ⑥ Heated wire adapter
- ⑦ Temperature probe port
- ⑧ Humidifier connection tube, 2' length, 15 mm diameter with 22 mm cuff
- ⑨ Tube management clips

Part numbers

Box of 10: 1073222

Box of 20: 1073231

Pediatric passive circuit with water trap



Components

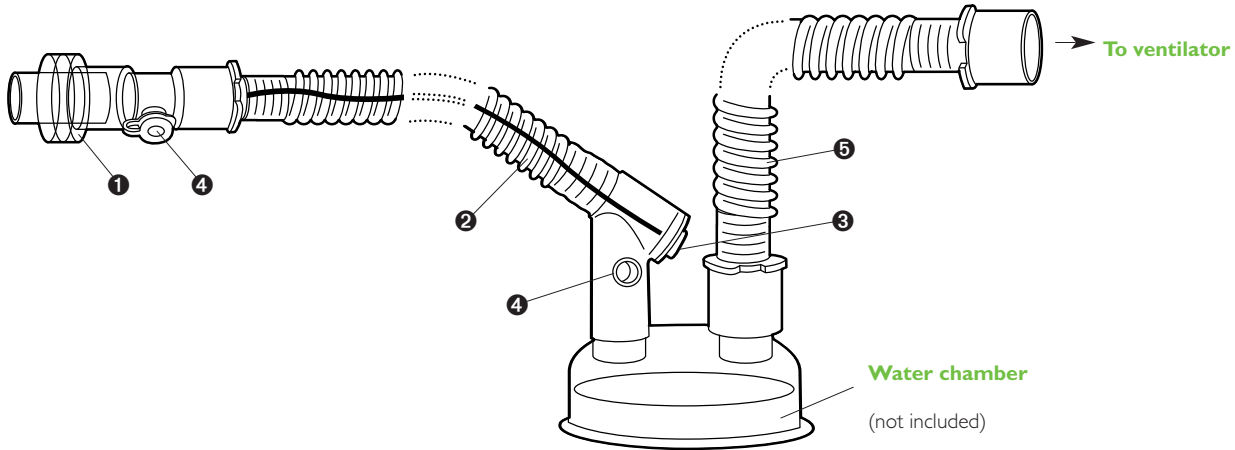
- ① Passive swivel exhalation port
- ② Patient tube, 2.5' length, 15 mm diameter with 22 mm cuff
- ③ Temperature probe port
- ④ Water trap
- ⑤ Humidifier connection tube, 2' length, 15 mm diameter with 22 mm cuff

Part numbers

Box of 10: 1073224

Box of 20: 1073233

Pediatric passive circuit, heated wire



Components

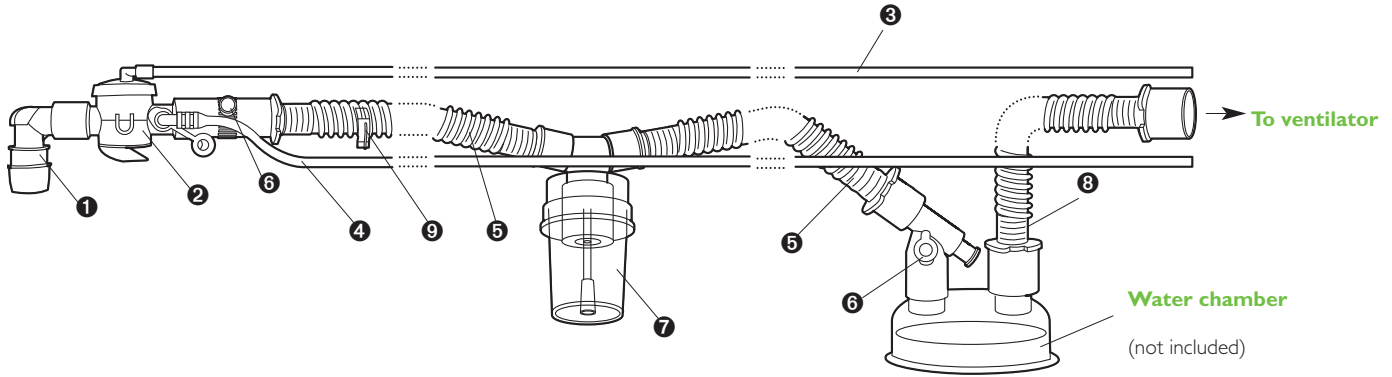
- ① Passive swivel exhalation port
- ② Heated wire patient tube, 5' length, 15 mm diameter with 22 mm cuff, with heated wire connector
- ③ Heated wire adapter
- ④ Temperature probe port
- ⑤ Humidifier connection tube, 2' length, 15 mm diameter with 22 mm cuff

Part numbers

Box of 10: 1073225

Box of 20: 1073234

Pediatric active circuit with water trap



Part numbers

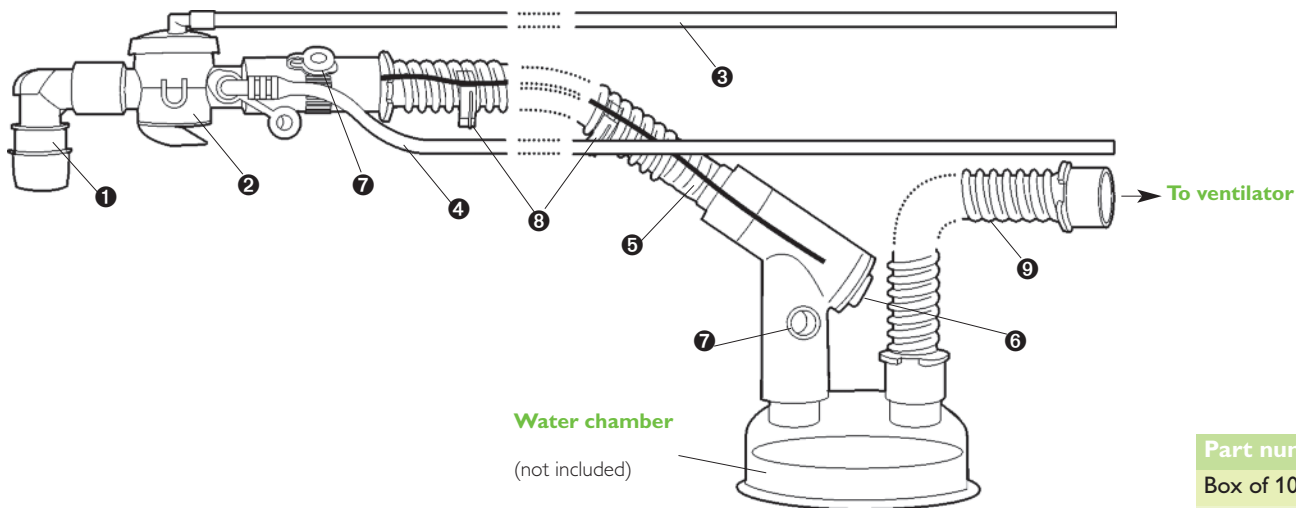
Box of 10: 1073220

Box of 20: 1073229

Components

- ① Standard 90° elbow trach adapter
- ② Active exhalation valve
- ③ Exhalation tubing
- ④ Proximal pressure tubing
- ⑤ Patient tube, 2.5' length, 15 mm diameter with 22 mm cuff
- ⑥ Temperature probe port
- ⑦ Water trap
- ⑧ Humidifier connection tube, 2' length, 15 mm diameter with 22 mm cuff
- ⑨ Tube management clips (one shown)

Pediatric active circuit, heated wire



Water chamber

(not included)

Part numbers

Box of 10: 1073221

Box of 20: 1073230

Components

- ① Standard 90° elbow trach adapter
- ② Active exhalation valve
- ③ Exhalation tubing
- ④ Proximal pressure tubing
- ⑤ Heated wire patient tube, 5' length, 15 mm diameter with 22 mm cuff, with heated wire connector
- ⑥ Heated wire adapter
- ⑦ Temperature probe port
- ⑧ Tube management clips
- ⑨ Humidifier connection tube, 2' length, 15 mm diameter with 22 mm cuff

Monitoring and alarms



1075383

Masimo high performance/low power pulse oximeter

1080964

Trilogy oximetry interface kit: interface adapter, SD card and mailer carrying case



23001

Pressure alarm

Oximeter sensors	Part number
LNCS ADTX adhesive sensor, Resp, adult disposable adhesive sensor (>30 kg) 20/box	1081517
LNCS PDTX adhesive sensor, Resp, pediatric disposable adhesive sensor (10-50 kg) 10/box	1081518
LNCS INF adhesive sensor, Resp, infant disposable adhesive sensor (3-20 kg) 20/box	1081519
LNCS DCI, adult reusable sensor (>30 kg) 1/box	1081984
LNCS DCIP, pediatric reusable sensor (10-50 kg) 1/box	1081515
LNCS DBI, adult soft reusable sensor; 1/box	1081516
LNCSYI, reusable YI multisite sensor (>1 kg) 1/box	1081985
LNCS, patient cable, LNC 4 ft. ext.	1082474



1080247

RJ9 to 1/4" nurse call cable, closed

1080248

RJ9 to 1/4" nurse call cable, open

1080249

Nurse call RJ9 cable, open ends



34003

Remote alarm

34915

100' extension cable



1079886

Remote alarm adapter cable



1046972

Alice PDx connector cable

Miscellaneous



1040390

Oxygen inlet adapter



1040372

Passive porting block



1054670

Active porting block



1040370

Universal porting block



1029330 – 2/pk

Filter

Trilogy, DirectView and Respironics are trademarks of Koninklijke Philips Electronics N.V. and its affiliates. All rights reserved. Masimo, LNCS and SET are registered trademarks of Masimo Corporation.

Please visit www.philips.com/trilogy100



©2011 Koninklijke Philips Electronics N.V. All rights are reserved.

Philips Healthcare reserves the right to make changes in specifications and/or to discontinue any product at any time without notice or obligation and will not be liable for any consequences resulting from the use of this publication.

CAUTION: US federal law restricts these devices to sale by or on the order of a physician.

Geyer JH 08/18/11 MCI 4104172 PN 1084580

Philips Healthcare is part of Royal Philips Electronics

Respironics Asia Pacific
+65 6298 1088
Respironics Australia
+61 (2) 9666 4444
Respironics Europe, Middle East, Africa
+33 1 47 52 30 00
Respironics United Kingdom
+44 800 1300 845

Philips Respironics
1010 Murry Ridge Lane
Murrysville, PA 15668

Customer Service
+1 724 387 4000
+1 800 345 6443 (toll free, US only)
www.philips.com/respironics